
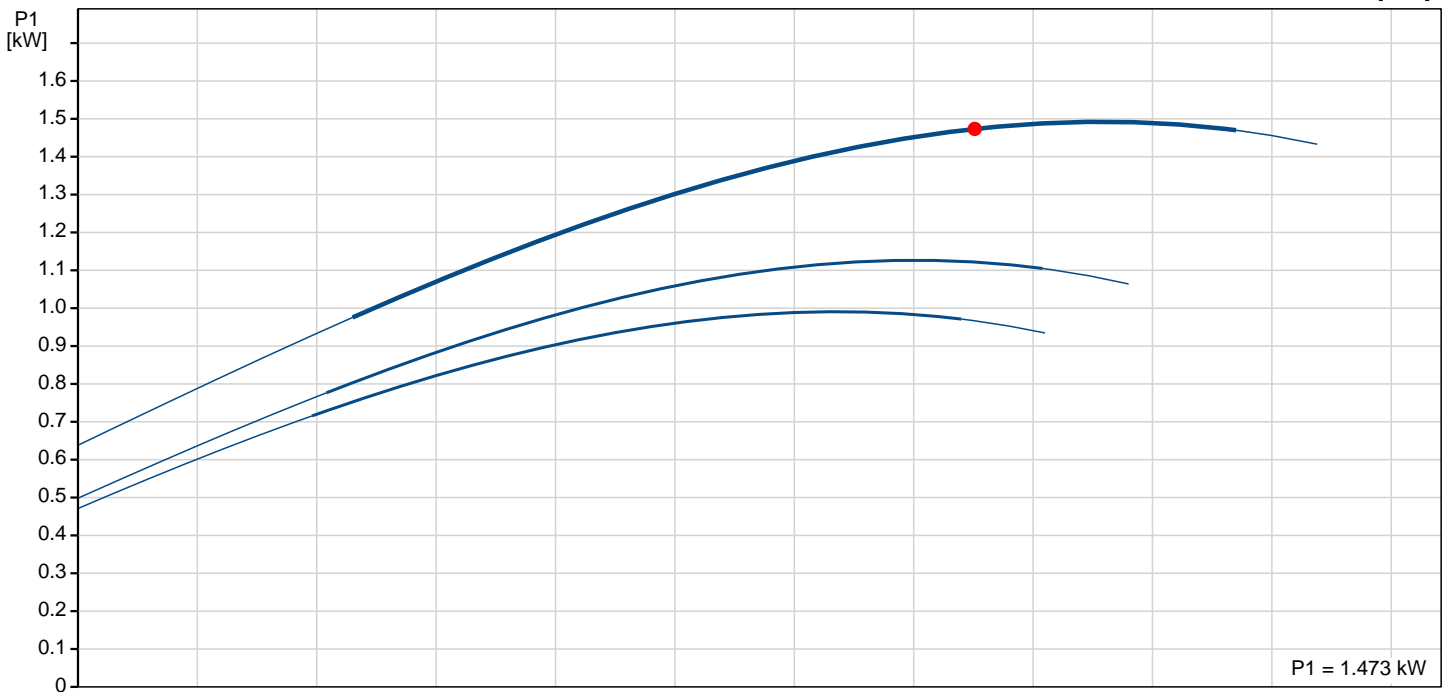
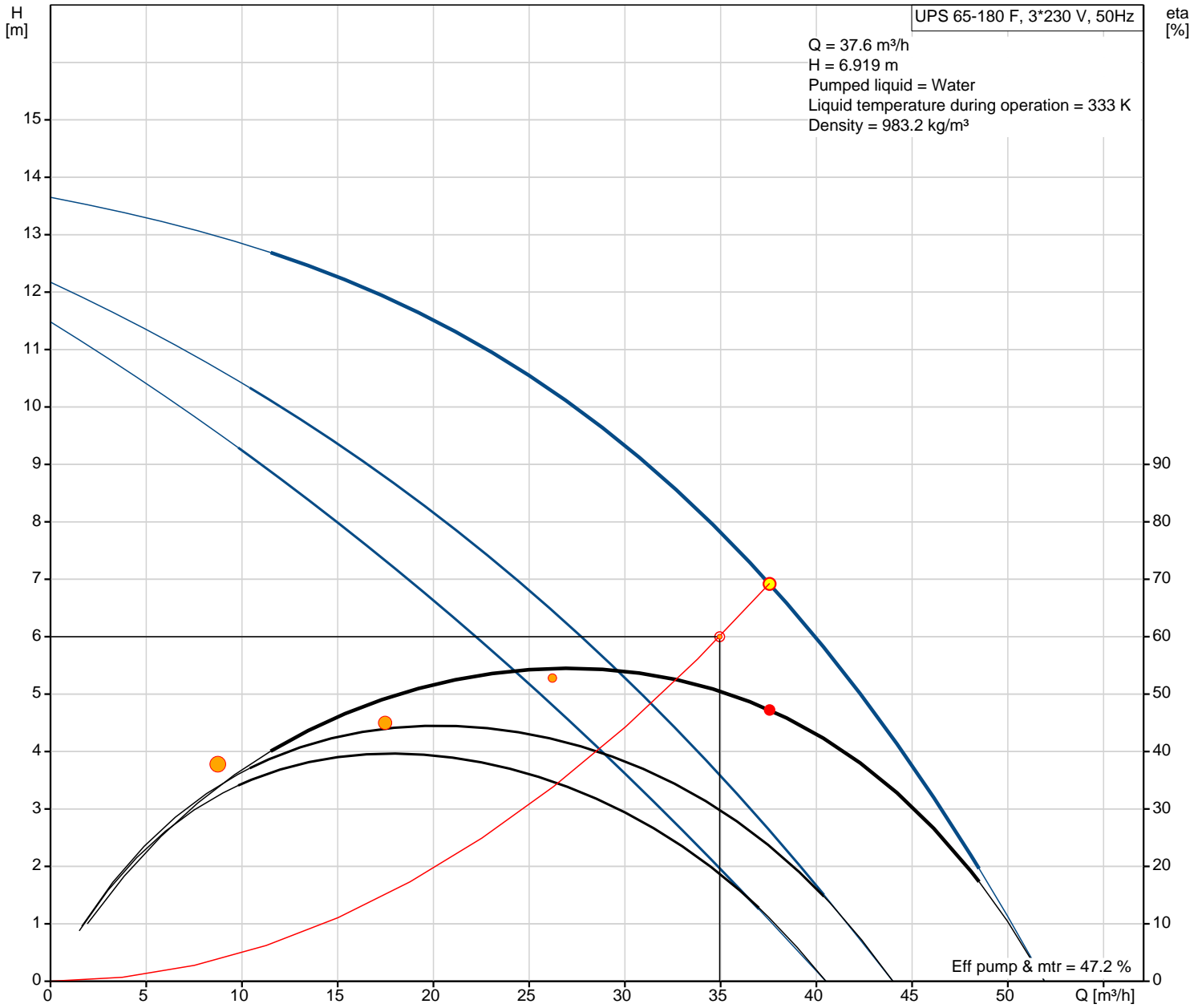


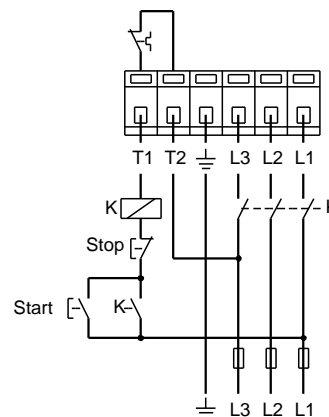
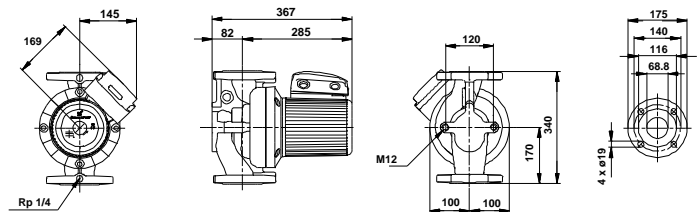
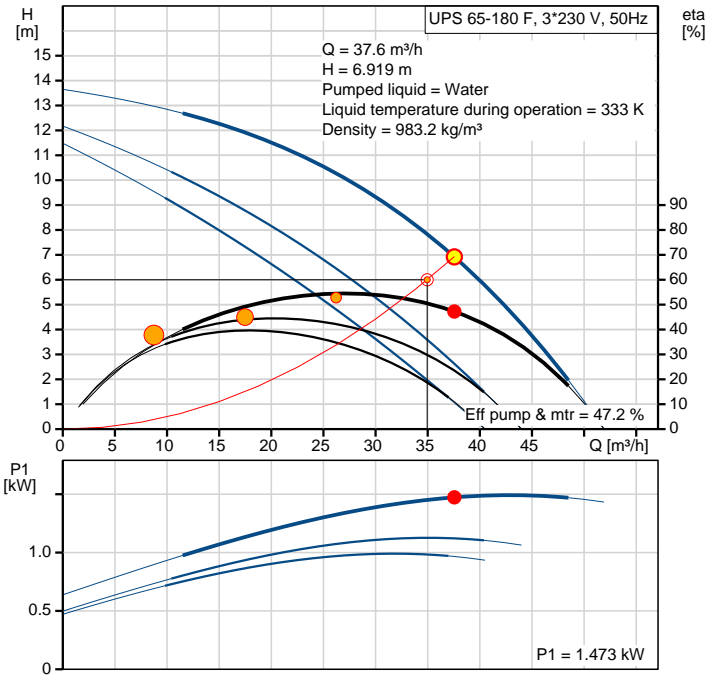
Position	Count	Description
	1	<p>UPS 65-180 F</p>  <p style="text-align: center;">Product photo could vary from the actual product</p> <p>Product No.: On request The pump is of the canned rotor type, i.e. pump and motor form an integral unit without shaft seal and with only two gaskets for sealing. The bearings are lubricated by the pumped liquid.</p> <p>In order to avoid problems in connection with disposal, great importance has been attached to using as few different materials as possible.</p> <p>The pump is characterized by:</p> <ul style="list-style-type: none"> * 3 speed motor. * Ceramic radial bearings. * Carbon axial bearing. * Stainless steel rotor can, bearing plate and rotor cladding. * Aluminium alloy stator housing. * Cast iron pump housing. * Stator with built-in thermal switch. <p>The motor is a 3-phase motor.</p> <p>The pump is supplied with a standard module in the terminal box. The standard module is to be connected to the mains supply via external contactor.</p> <p>Controls: Relay: without relay</p> <p>Liquid: Pumped liquid: Water Liquid temperature range: 263 .. 393 K Q_OpFluidTemp: 333 K Density: 983.2 kg/m³ Kinematic viscosity: 0.48 mm²/s</p> <p>Technical: Actual calculated flow: 37.6 m³/h Resulting head of the pump: 6.919 m Approvals on nameplate: CE</p> <p>Materials: Pump housing: Cast iron EN-JL1040 ASTM 35 B - 40 B Impeller: Stainless steel DIN W.-Nr. 1.4301 AISI 304</p> <p>Installation:</p>

Position	Count	Description
		Range of ambient temperature: 273 .. 313 K Maximum operating pressure: 1000 kPa Flange standard: JIS Pipe connection: 65 A Pressure stage: 10 K Port-to-port length: 340 mm Electrical data: Power input in speed 1: 1000 W Power input in speed 2: 1150 W Max. power input: 1500 W Main frequency: 50 Hz Rated voltage: 3 x 200-230 V Current in speed 1: 3.3 A Current in speed 2: 3.75 A Current in speed 3: 5.25 A Cos phi in speed 1: 0,87 Cos phi in speed 2: 0,89 Cos phi: 0,82 Insulation class (IEC 85): H Enclosure class (IEC 60529): X4D Others: Net weight: 33.2 kg Gross weight: 34.8 kg Shipping volume: 0.047 m ³

On request UPS 65-180 F 50 Hz



Description	Value
General information:	
Product name:	UPS 65-180 F
Product No.:	On request
EAN:	On request
Price:	On request
Technical:	
Speed Number:	3
Actual calculated flow:	37.6 m ³ /h
Resulting head of the pump:	6.919 m
Head max:	18 m
Approvals on nameplate:	CE
Materials:	
Pump housing:	Cast iron EN-JL1040 ASTM 35 B - 40 B
Impeller:	Stainless steel DIN W.-Nr. 1.4301 AISI 304
Installation:	
Range of ambient temperature:	273 .. 313 K
Maximum operating pressure:	1000 kPa
Flange standard:	JIS
Pipe connection:	65 A
Pressure stage:	10 K
Port-to-port length:	340 mm
Liquid:	
Pumped liquid:	Water
Liquid temperature range:	263 .. 393 K
Q_OpFluidTemp:	333 K
Density:	983.2 kg/m ³
Kinematic viscosity:	0.48 mm ² /s
Electrical data:	
Power input in speed 1:	1000 W
Power input in speed 2:	1150 W
Max. power input:	1500 W
Main frequency:	50 Hz
Rated voltage:	3 x 200-230 V
Current in speed 1:	3.3 A
Current in speed 2:	3.75 A
Current in speed 3:	5.25 A
Cos phi in speed 1:	0,87
Cos phi in speed 2:	0,89
Cos phi:	0,82
Insulation class (IEC 85):	H
Enclosure class (IEC 60529):	X4D
Motor protection:	CONTACT
Thermal protec:	external
Controls:	
Relay:	without relay
Pos term box:	1.30H
Others:	
Net weight:	33.2 kg
Gross weight:	34.8 kg
Shipping volume:	0.047 m ³
Sales region:	Japan





Company name: Forat Aqua Structures Company (FAS.co)
Created by: Tooraj Sadeghi Zahed
Phone: +98 (021) 33993558
Email: tooraj.zahed@yahoo.com
Date: 5/14/2017

On request UPS 65-180 F 50 Hz